

RIEGL

VQX-2

Helicopter Pod



The *RIEGL VQX-2* Helicopter Pod is a light-weight and streamlined pod that offers space for the integration of larger laser scanners and additional sensors.

The design enables userfriendly installation on suitable support arms of helicopters and facilitates various airborne mapping applications.

The pod is designed to carry one *RIEGL* high performance airborne laser scanner as well as up to five high-resolution cameras and an appropriate high-end IMU/GNSS system.

Helicopter Pod for Airborne Laser Scanning (ALS)

Typical Applications

• Corridor Mapping • High Point Density Mapping • Wide Area / High Altitude Mapping • Mapping of Complex Urban Environments • Terrain and Canyon Mapping • City Modeling • Glacier and Snowfield Mapping • Construction-Site Monitoring • Power Line, Railway Track, and Pipeline Inspection • Emergency Management Planning • Accident Investigation • Moist Grassland Mapping • Agriculture & Forestry • Topography in Open-Cast Mining

Contact us

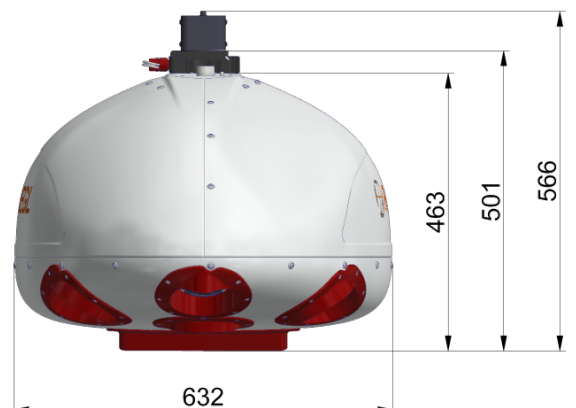
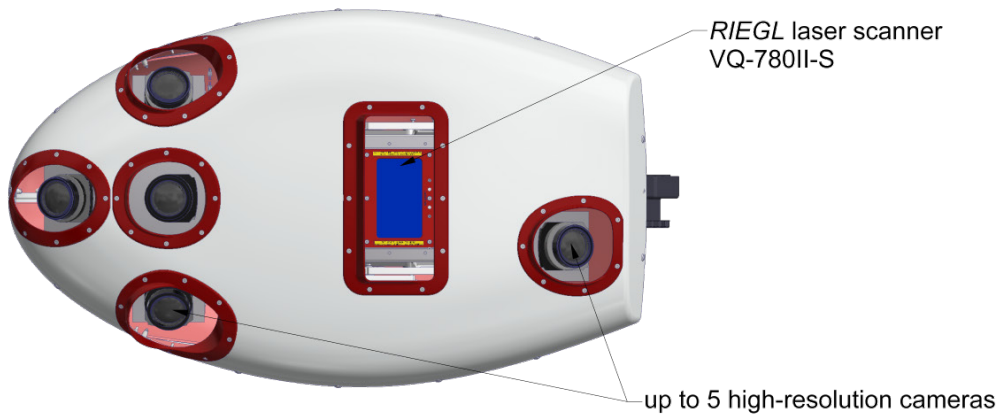


RIEGL VQX-2 Main Features & Key Facts

- robust and reliable helicopter pod
- uncompromising lightweight construction
- quick installation and removal
- turn-key solution ready to install (including power and data cabling)
- GNSS antenna to be mounted appropriately
- Minor Change Approval for Airbus Helicopters AS350 series (details on request)



RIEGL VQX-2 Technical Data

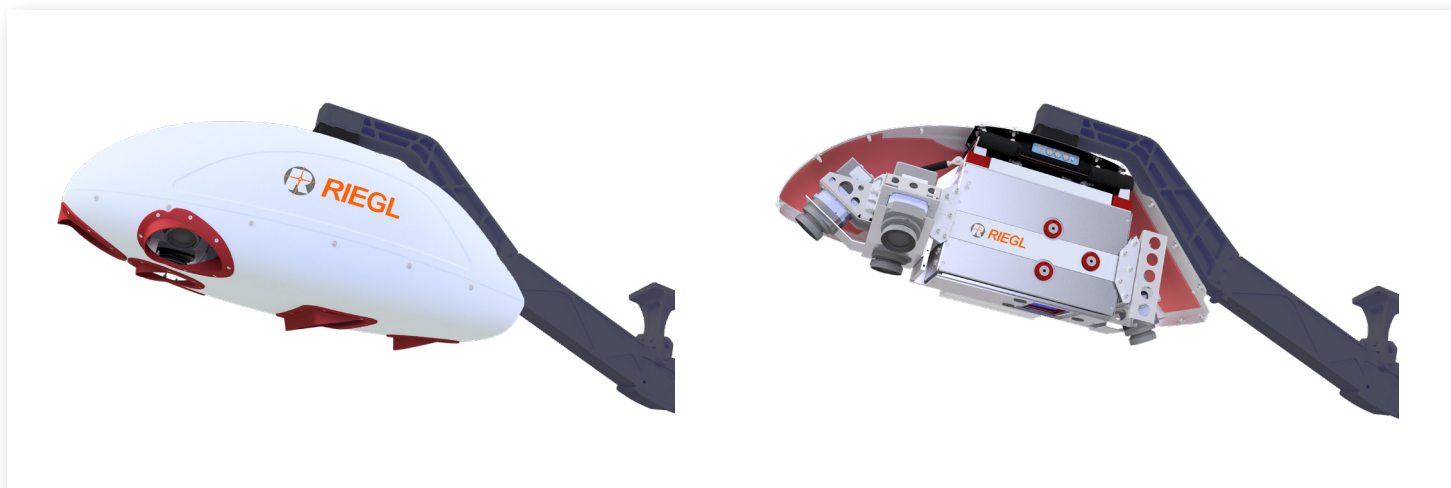


all dimensions in mm

RIEGL VQX-2 with RIEGL VQ-780II-S integrated

The **RIEGL VQX-2** Helicopter Pod can be offered as fully integrated system that includes the *RIEGL VQ-780II-S* Waveform Processing Airborne Laser Scanner, a high-performance IMU/GNSS system and optional cameras with various camera orientations.

Obtaining all relevant airworthiness certificates is entirely at the discretion and responsibility of the end user or integrating company.



Integrable RIEGL Laser Scanners	VUX-120 ²³ , VUX-160 ²³ , VUX-180 ²⁴ , VUX-240 ²⁴ , VQ-480II, VQ-580II-S, VQ-780II-S
Scanner Performance	refer to the according RIEGL laser scanner data sheet
Max. Pod Weight (all components included)	55 kg
IMU/GNSS Unit, e.g. Applanix AP+60, AP+50	refer to the according IMU/GNSS data sheet
Possible Camera Orientations	1 camera <i>nadir</i> or 2 cameras <i>RGBnadir / NIR nadir</i> or 3 cameras <i>forward / nadir / backward</i> or 4 cameras <i>forward / RGB nadir / NIR nadir / backward</i> or 5 cameras <i>forward / lefthand sideward / righthand sideward / nadir / backward</i>
Installation and Removal	dovetail mount for quick installation and removal; mounting and operation at the end-user´s responsibility



RIEGL's VQX-2 Helicopter Pod mounted to an Airbus Helicopter AS350.



at a glance

RIEGL VQX-2

Certain products referred to herein, whether registered or unregistered, may be trademarks and shall remain the intellectual property of the respective owner. *RIEGL* relies, among others, on the principle of "fair use" and makes no claim on trademarks of other manufacturers.



Watch our videos!
youtube.com/rieglidar

Copyright *RIEGL* Laser Measurement Systems GmbH © 2026– All rights reserved.
Use of this data sheet other than for personal purposes requires *RIEGL*'s written consent.
This data sheet is compiled with care. However, errors cannot be fully excluded and alternations might be necessary.

www.riegl.com

