

NEW

Protective Housing for RIEGL VUX-1 Series Laser Scanners

PH-VUX

Key features

The **Protective Housing PH-VUX** is designed for the **RIEGL VUX-1 Series** laser scanners to be protected and used in harsh environments.

The laser scanner is enclosed within a hermetically-sealed protective housing and is operated in stabilized temperature conditions. This is achieved via long-life thermo-electric elements and forced-air cooling. Laser measurement is performed through specially coated window panes forming a square pyramid-shaped glass component.



Protection Class IP65

for reliable and long-term operation in harsh environments

Technical data

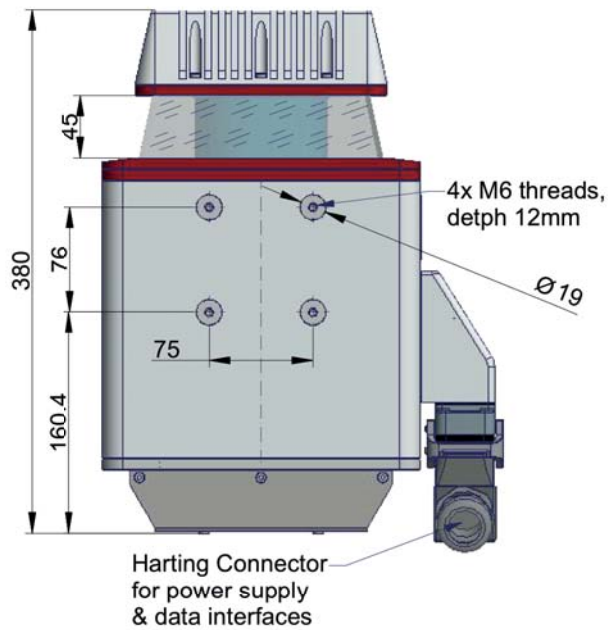
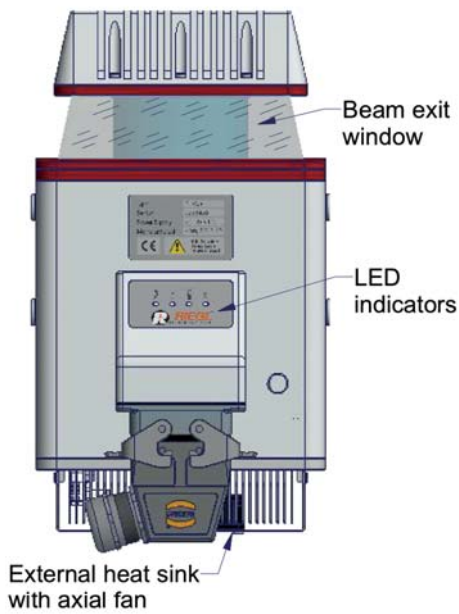
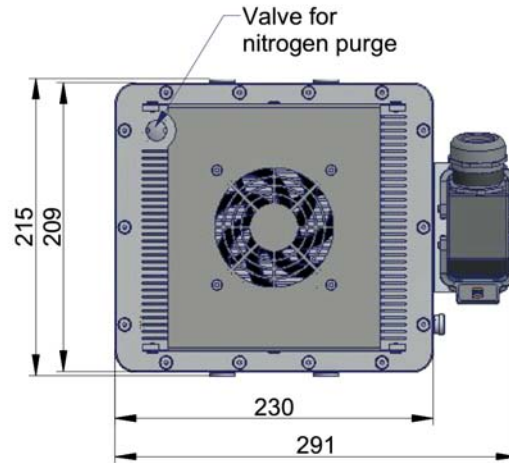
Power supply input voltage	18 - 32 V DC, nominal 24 V DC
Typ. power consumption	approx. 130 W (climate control in operation) approx. 200 W (with VUX-1 LiDAR sensor and climate control in operation)
Material	CFRP, matt white housing with internal thermal insulation
Main dimensions (L x W x H)	380 mm x 291 mm x 215 mm
Weight	protective housing approx. 8 kg protective housing with VUX-1 inside approx. 11.5 kg
Mounting interface	8 x M6 threads, depth 12 mm
Protection class	IP65
Temperature range	-25°C up to +45°C
Electrical interface	robust Harting® connector for power supply and data interface
Long-life exterior fan	IP68 interchangeable by the customer
Humidity Monitoring	2 desiccant cartridges with humidity indicator, valve for nitrogen purge
LED indicators	for power supply, LAN link, temperature control and error status



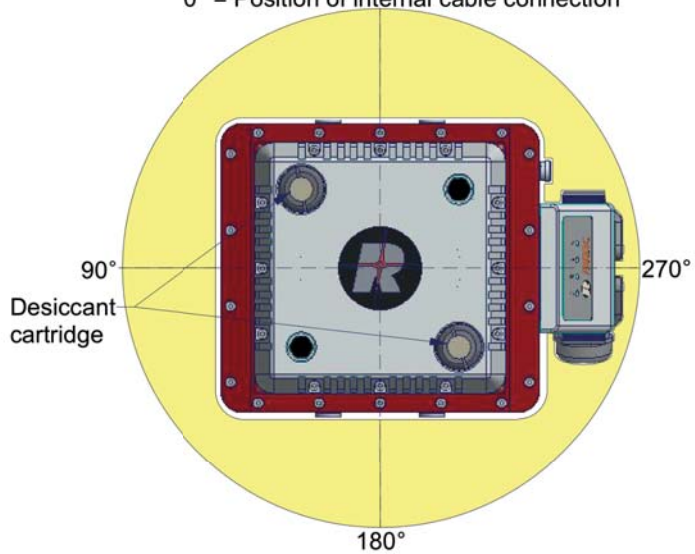
www.riegl.com



Dimensional Drawings



0° = Position of internal cable connection



all dimensions in mm