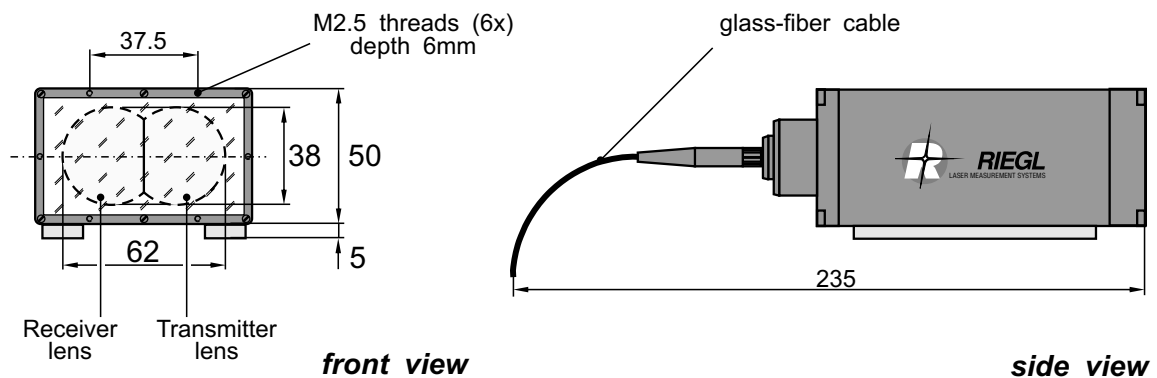
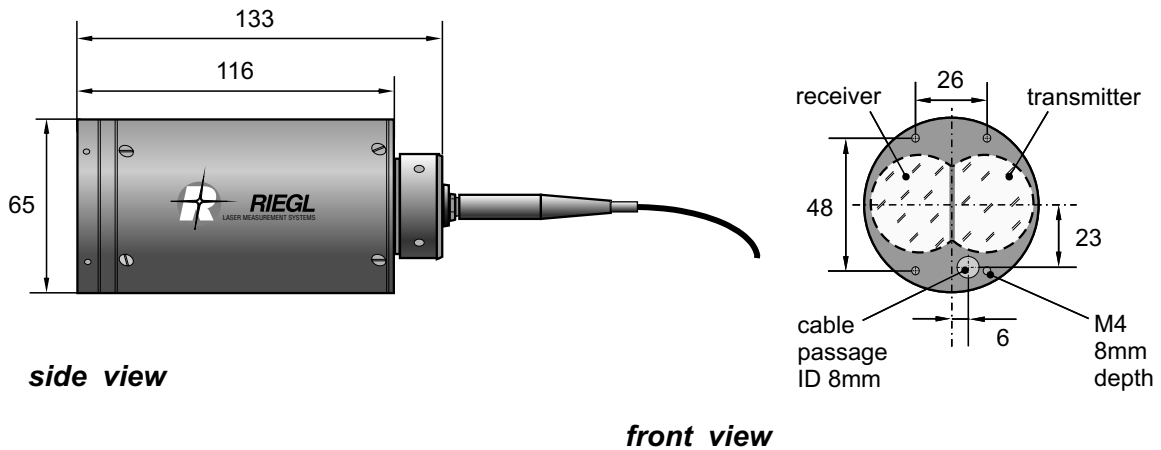
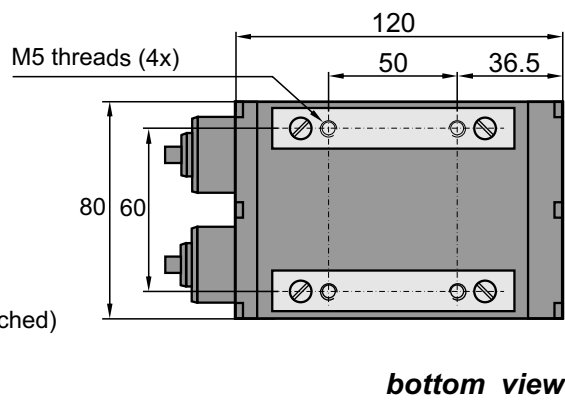


# RIEGL Optical heads



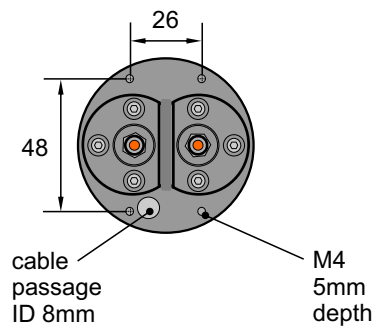
## MK36

case: aluminium, black anodized  
 weight: 0.67 kg  
 protection class: IP62 (glass fiber cables attached)  
 temperature range: -20° to +80° C

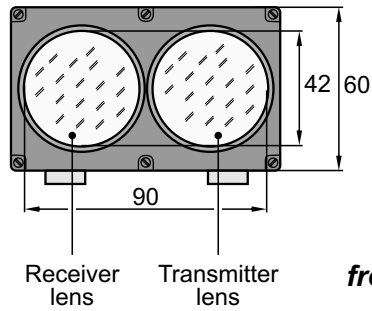


## MK36-Z65

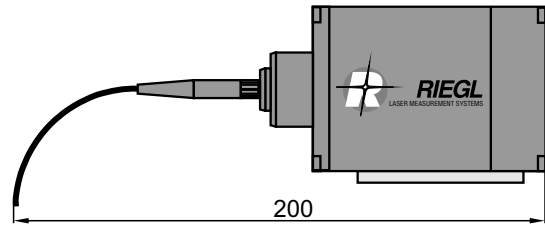
case: aluminium, black anodized  
 weight: 0.4 kg  
 protection class: IP62 (glass fiber cables attached)  
 temperature range: -20° to +80° C



# RIEGL Optical heads



**front view**



**side view**

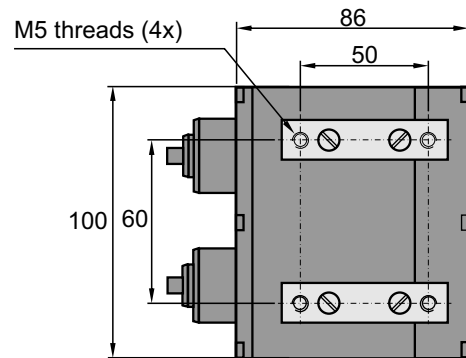
## MK42

case: aluminium, black anodized

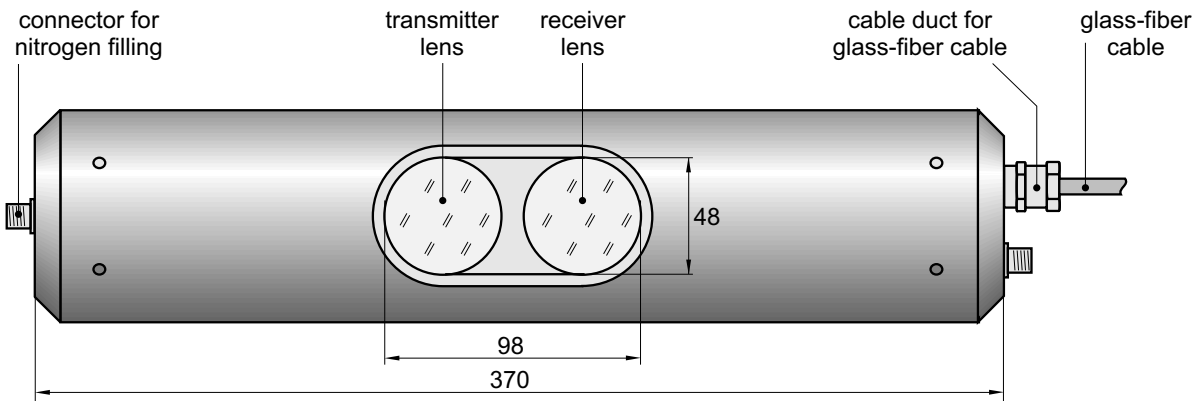
weight: 0.75 kg

protection class: IP62 (glass fiber cables attached)

temperature range: -20° to +80° C



**bottom view**



**side view**

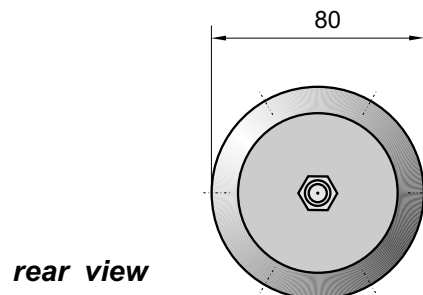
## MK42-Z80

case: aluminium, black anodized

weight: 3.0 kg

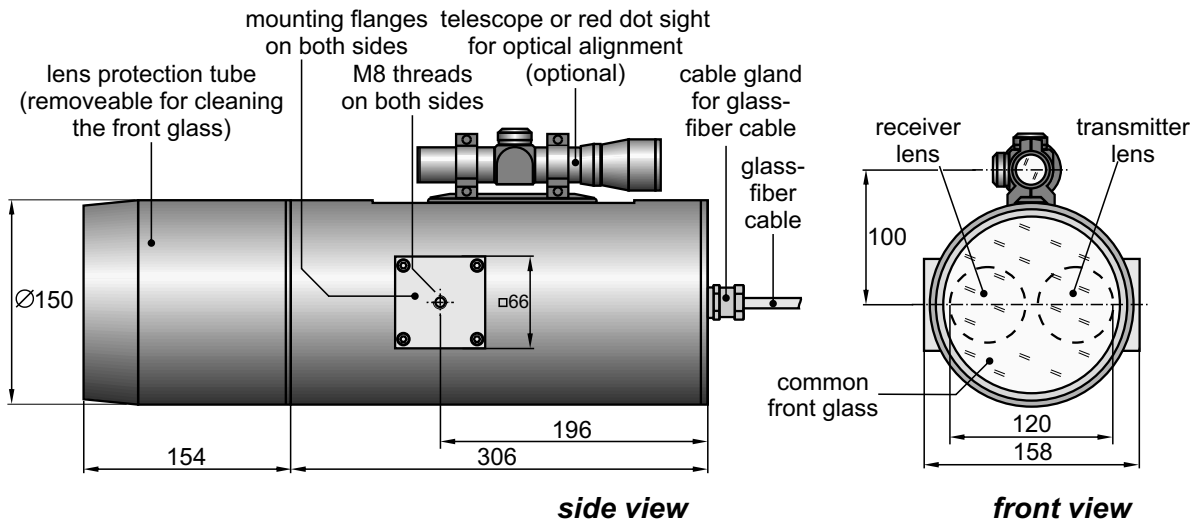
protection class: IP64 (glass fiber cables attached)

temperature range: -20° to +80° C



**rear view**

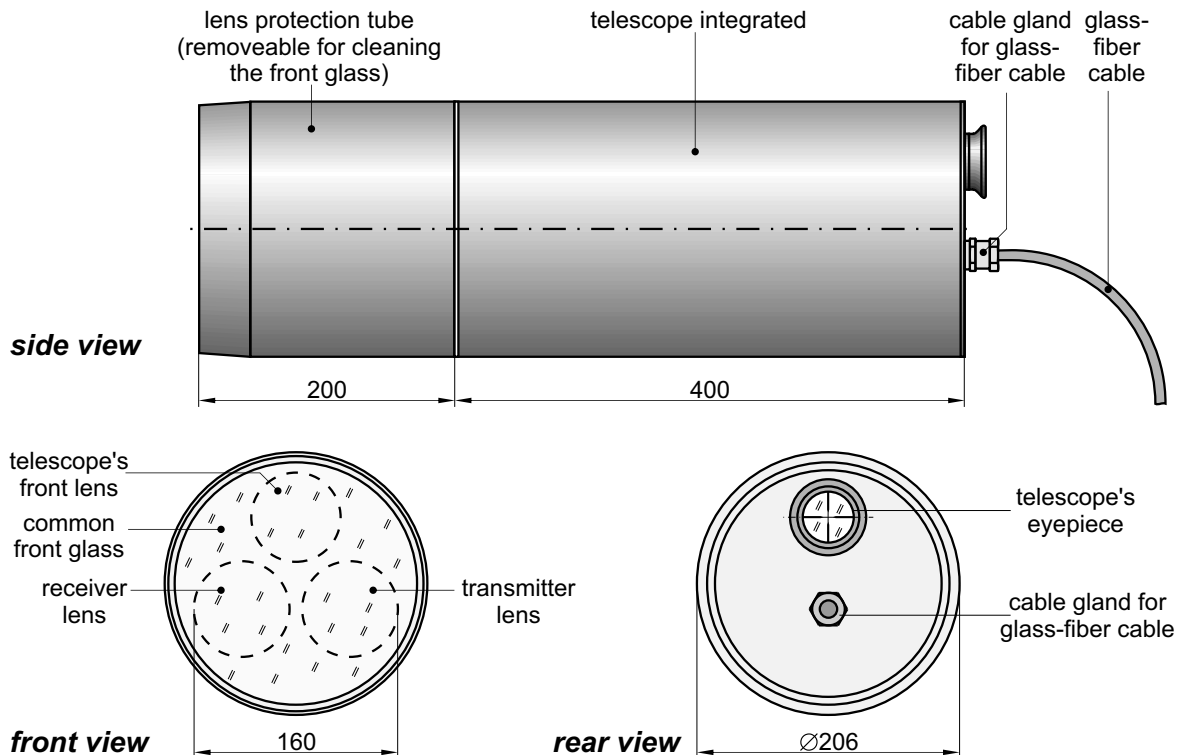
# RIEGL Optical heads



## MK56-Z150

case: aluminium, color-less anodized  
 protection class: IP66 (glass fiber cables attached)

weight: 6 kg (6.5 kg with telescope)  
 temperature range: -20° to +80° C

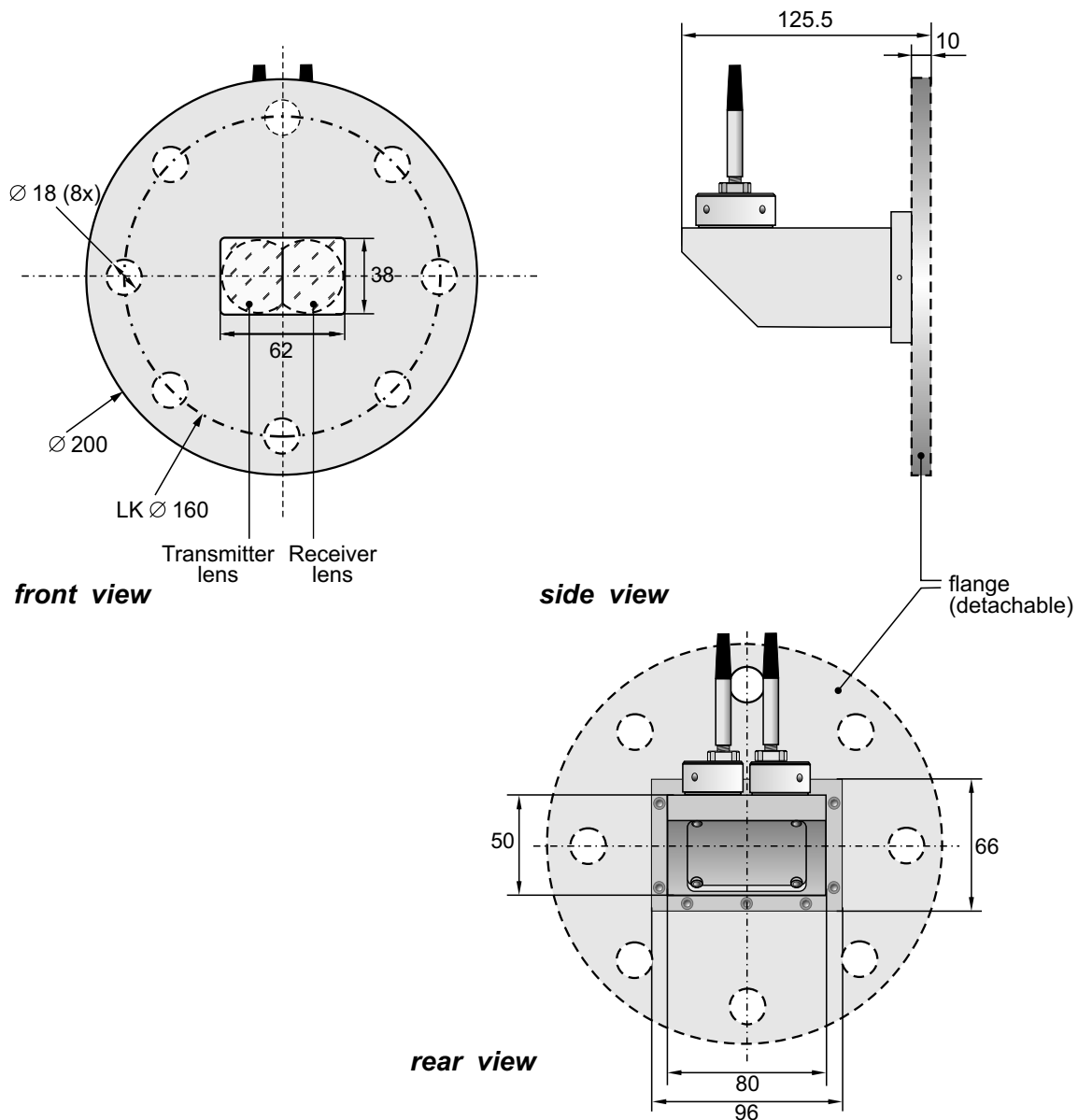


## MK75-Z210

case: stainless steel  
 protection class: IP67 (glass fiber cables attached)

weight: 19 kg  
 temperature range: -20° to +80° C

# RIEGL Optical heads



## MK36-D-F80

case: aluminium (color-less anodized) or stainless steel

weight: approx. 1.5 kg (aluminium), approx. 4.1 kg (stainless steel)

protection class: IP62 (glass fiber cables attached)

temperature range: -20° to +80° C

Information contained herein is believed to be accurate and reliable. However, no responsibility is assumed by RIEGL for its use. Technical data are subject to change without notice.

Data sheet LD90-3-GF, 01/04/2010



**RIEGL**  
LASER MEASUREMENT SYSTEMS  
[www.riegl.com](http://www.riegl.com)

RIEGL Laser Measurement Systems GmbH, A-3580 Horn, Austria  
Tel.: +43-2982-4211, Fax: +43-2982-4210, E-mail: [office@riegl.co.at](mailto:office@riegl.co.at)

RIEGL USA Inc., Orlando, Florida 32819, USA  
Tel.: +1-407-248-9927, Fax: +1-407-248-2636, E-mail: [info@rieglusa.com](mailto:info@rieglusa.com)

RIEGL Japan Ltd., Tokyo 1640013, Japan  
Tel.: +81-3-3382-7340, Fax: +81-3-3382-5843, E-mail: [info@riegl-japan.co.jp](mailto:info@riegl-japan.co.jp)